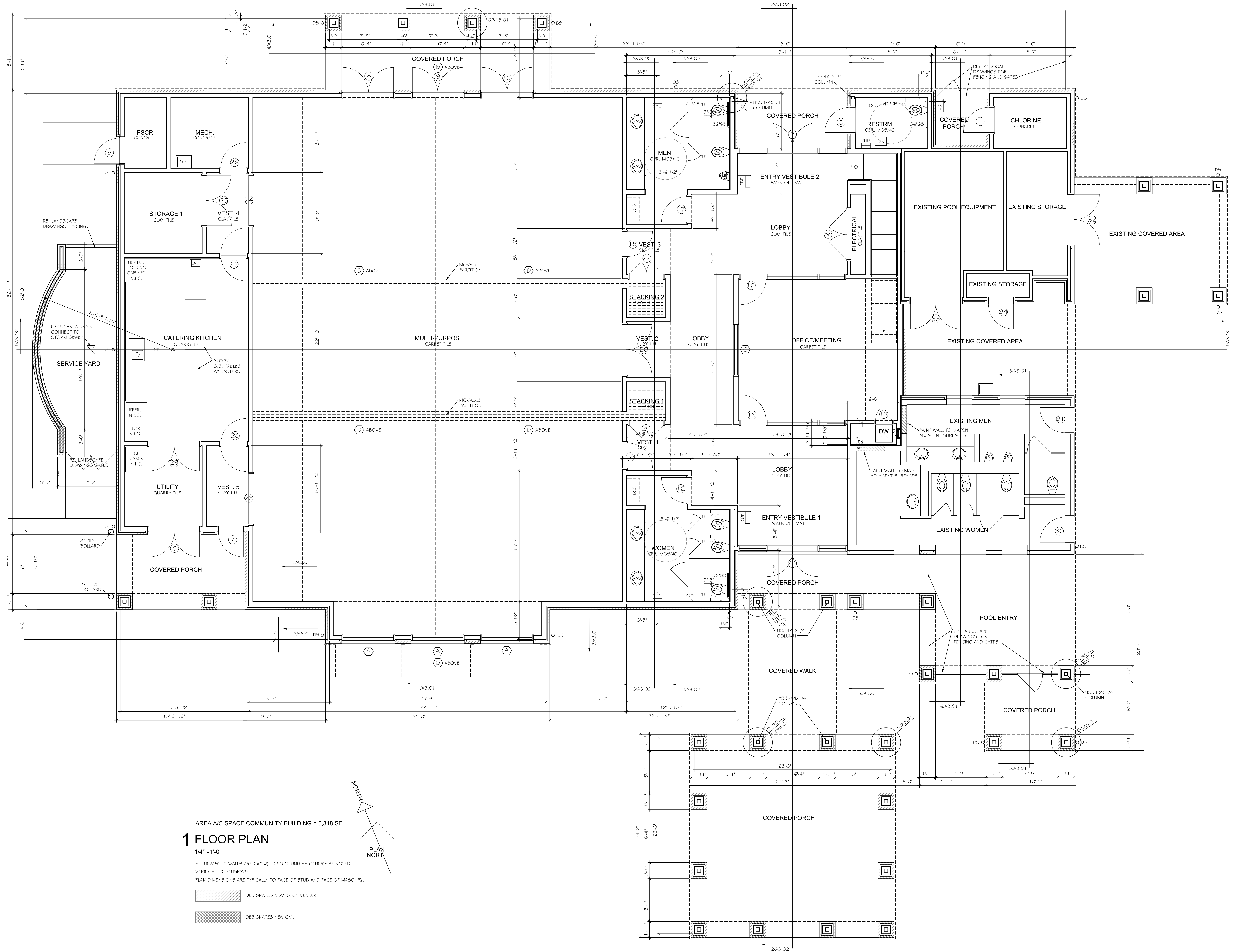




ISSUE	DATE
FOR BID	01/13/17



AREA A/C SPACE COMMUNITY BUILDING = 5,348 SF

1 FLOOR PLAN

1/4" = 1'-0"

ALL NEW STUD WALLS ARE 2X6 @ 16" O.C. UNLESS OTHERWISE NOTED.
VERIFY ALL DIMENSIONS.
PLAN DIMENSIONS ARE TYPICALLY TO FACE OF STUD AND FACE OF MASONRY.

- DESIGNATES NEW BRICK VENEER
- DESIGNATES NEW GUMI

Community Building Greatwood Recreation Center No. 1 Fort Bend County, Texas

MCCM PROJECT NO: 15-024

DRAWING NAME:
Floor Plan

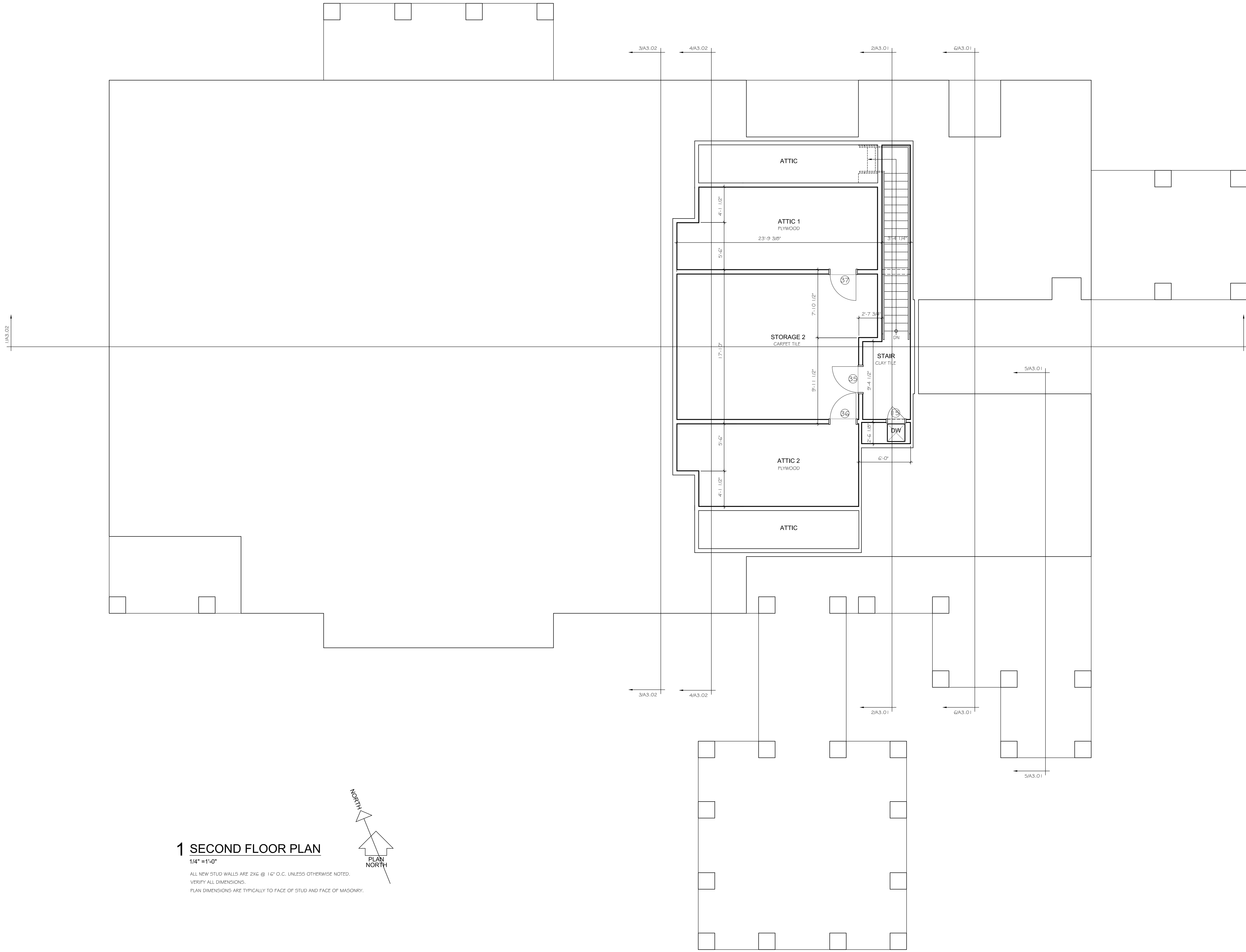
THESE DOCUMENTS ARE THE PROPERTY OF MCCM ARCHITECTS, INC. 2015. TANGLEY RD., HOUSTON, TEXAS AND ARE TO BE USED FOR THE PROJECT ONLY. ANY REUSE WITHOUT WRITTEN APPROVAL OF MCCM ARCHITECTS, INC. IS PROHIBITED.

SHEET:

A1.01



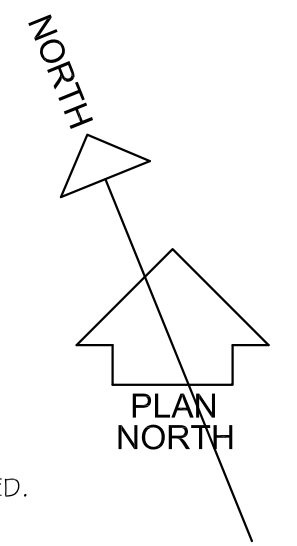
ISSUE	DATE
FOR BID	01/13/17



1 SECOND FLOOR PLAN

1/4" = 1'-0"

ALL NEW STUD WALLS ARE 2X6 @ 16" O.C. UNLESS OTHERWISE NOTED.
VERIFY ALL DIMENSIONS.
PLAN DIMENSIONS ARE TYPICALLY TO FACE OF STUD AND FACE OF MASONRY.



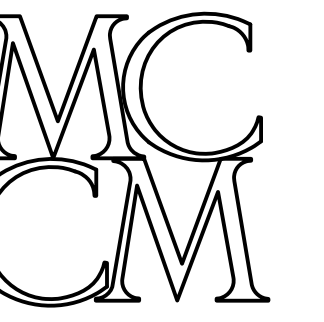
**Community Building
Greatwood Recreation Center No. 1
Fort Bend County, Texas**

MCCM PROJECT NO: 15-024

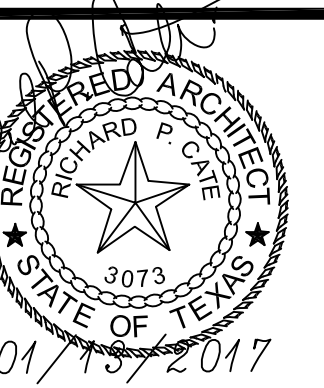
DRAWING NAME:
Roof Plan

THESE DOCUMENTS ARE THE PROPERTY OF MCCM ARCHITECTS, INC. 2015 TANGLEY RD., HOUSTON, TEXAS AND ARE TO BE USED FOR THE PROJECT ONLY. ANY REUSE WITHOUT WRITTEN APPROVAL OF MCCM ARCHITECTS, INC. IS PROHIBITED.

SHEET:
A1.02

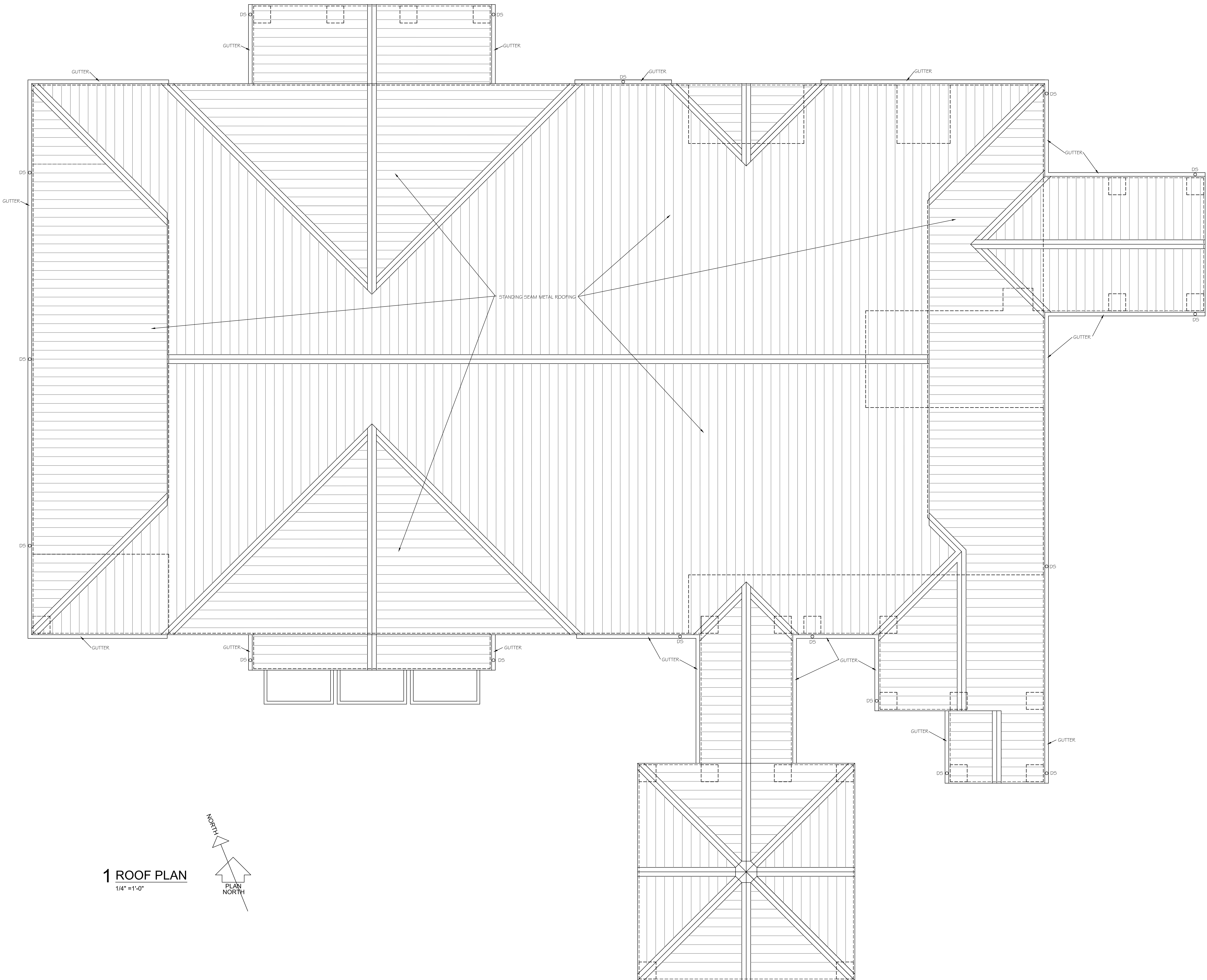


2815 TANGLEY ROAD
HOUSTON, TEXAS 77005
T 713-523-6070
www.mccmarchitects.com

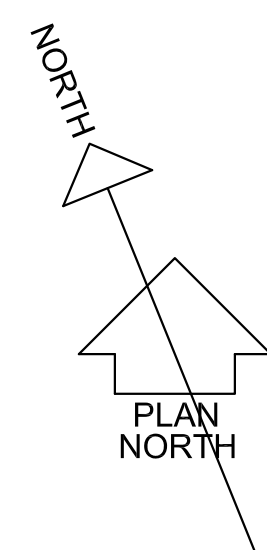


ISSUE DATE

FOR BID 01/13/17



1 ROOF PLAN
1/4" = 1'-0"



**Community Building
Greatwood Recreation Center No. 1
Fort Bend County, Texas**

MCCM PROJECT NO: 15-024

DRAWING NAME:
Roof Plan

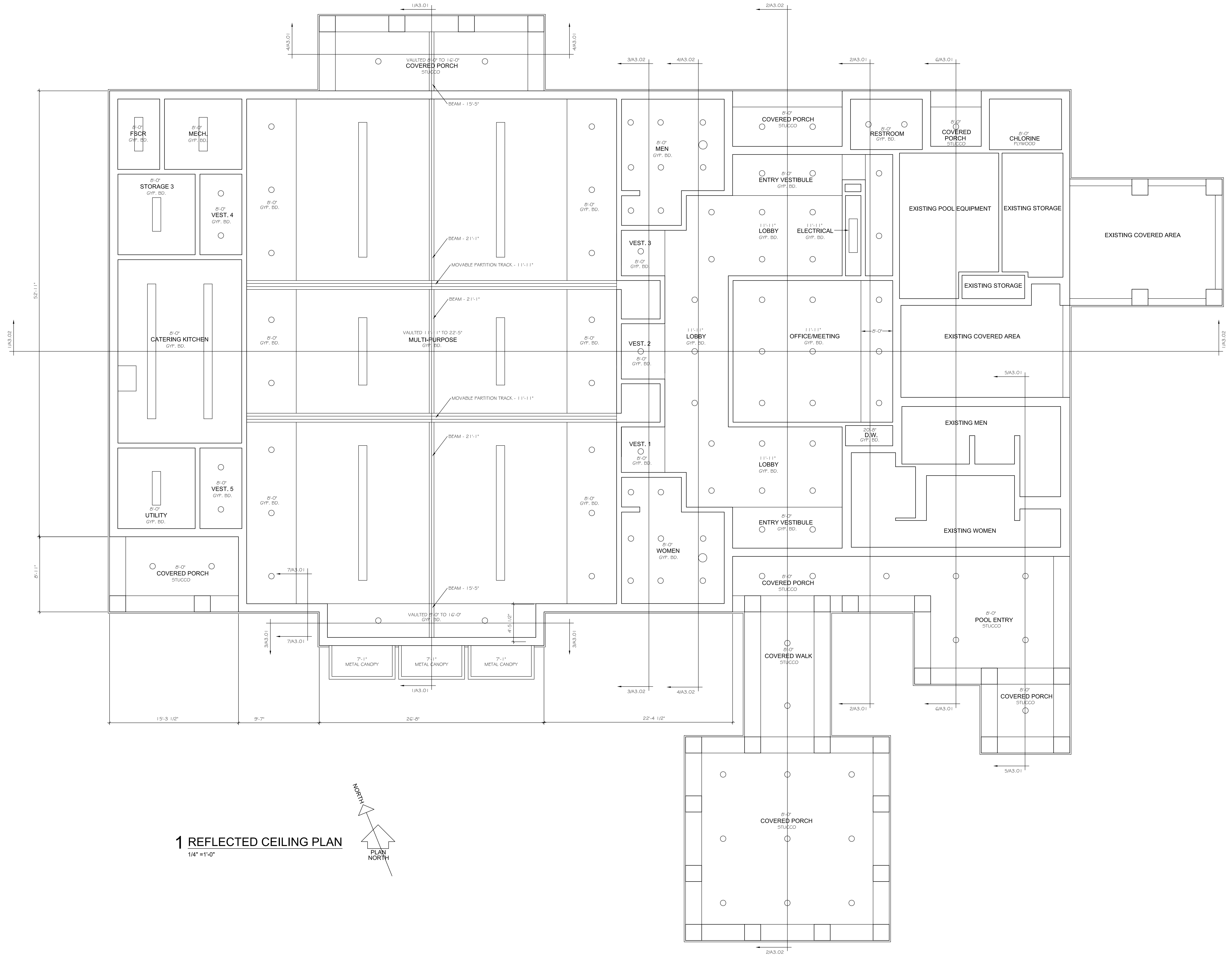
THESE DOCUMENTS ARE THE PROPERTY OF MCCM ARCHITECTS, INC. 2015 TANGLEY RD. HOUSTON, TEXAS AND ARE TO BE USED FOR THIS PROJECT ONLY. ANY REUSE WITHOUT WRITTEN APPROVAL OF MCCM ARCHITECTS, INC. IS PROHIBITED.

SHEET:

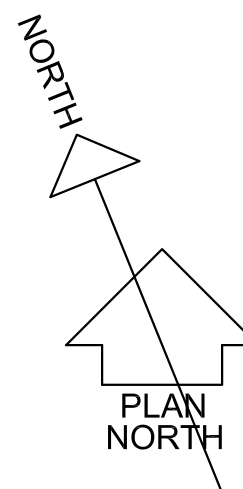
A1.03



ISSUE	DATE
FOR BID	01/13/17



1 REFLECTED CEILING PLAN
1/4" = 1'-0"



**Community Building
Greatwood Recreation Center No. 1
Fort Bend County, Texas**

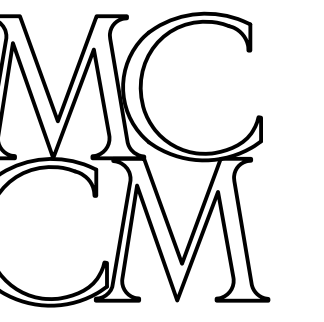
MCCM PROJECT NO: 15-024

DRAWING NAME:
Ref. Clg. Plan

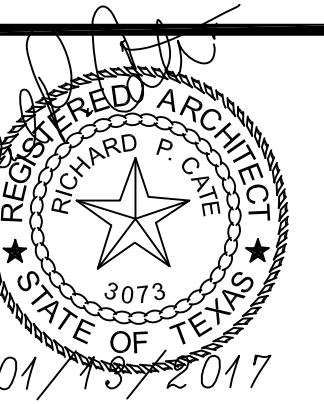
THESE DOCUMENTS ARE THE PROPERTY OF MCCM ARCHITECTS, INC. 2015 TANGLEY RD., HOUSTON, TEXAS AND ARE TO BE USED FOR THE PROJECT ONLY. ANY REUSE WITHOUT WRITTEN APPROVAL OF MCCM ARCHITECTS, INC. IS PROHIBITED.

SHEET:

A1.04



2815 TANGLEY ROAD
HOUSTON, TEXAS 77005
T 713-523-6070
www.mccmarchitects.com



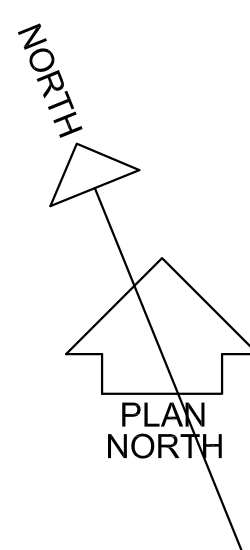
ISSUE	DATE
FOR BID	01/13/17



1 SECOND FLOOR REFLECTED CEILING PLAN

1/4" = 1'-0"

ALL NEW STUD WALLS ARE 2X6 @ 16" O.C. UNLESS OTHERWISE NOTED.



**Community Building
Greatwood Recreation Center No. 1
Fort Bend County, Texas**

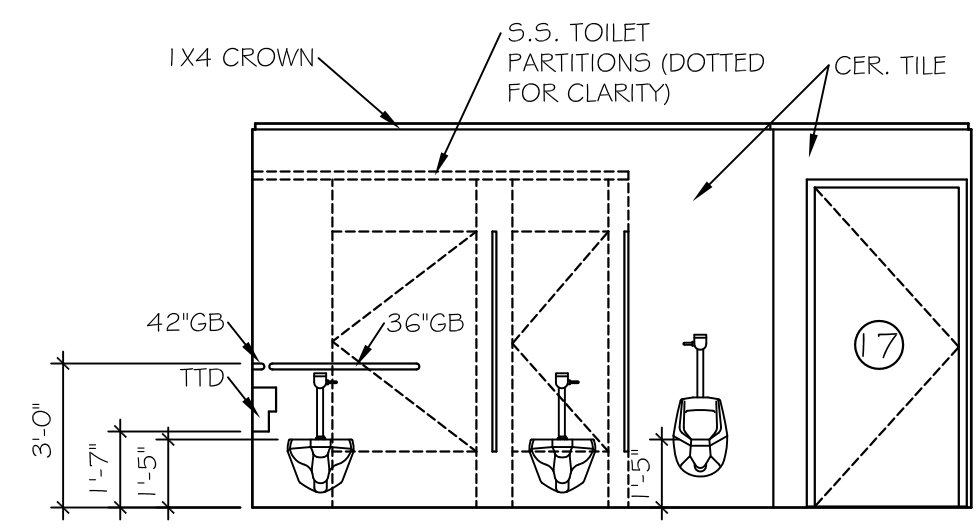
MCCM PROJECT NO: 15-024

DRAWING NAME:
Ref. Clg. Plan

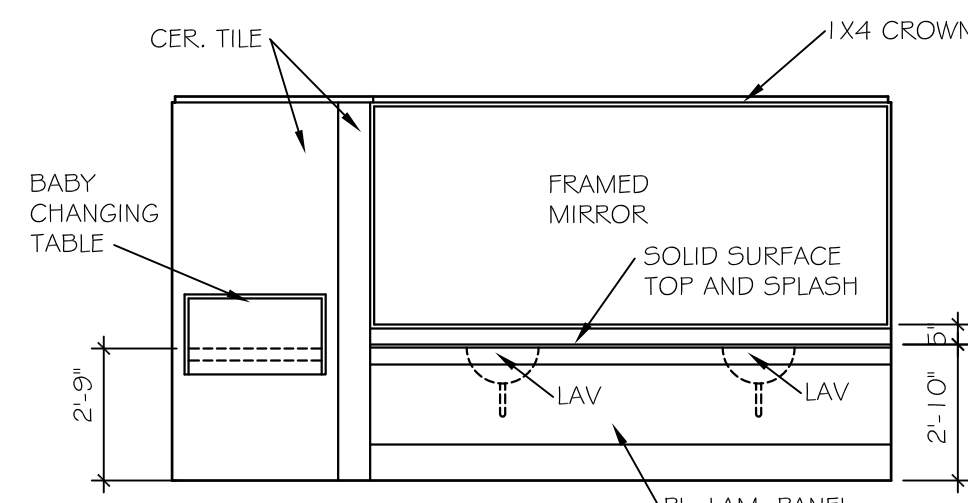
THESE DOCUMENTS ARE THE PROPERTY OF MCCM ARCHITECTS, INC. 2015 TANGLEY RD., HOUSTON, TEXAS AND ARE TO BE USED FOR THE PROJECT ONLY. ANY REUSE WITHOUT WRITTEN APPROVAL OF MCCM ARCHITECTS, INC. IS PROHIBITED.

SHEET:

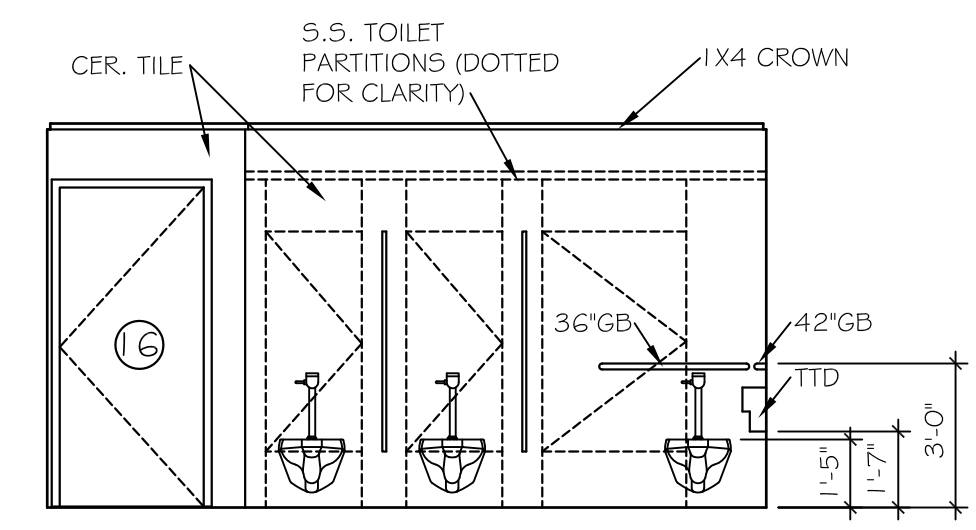
A1.05



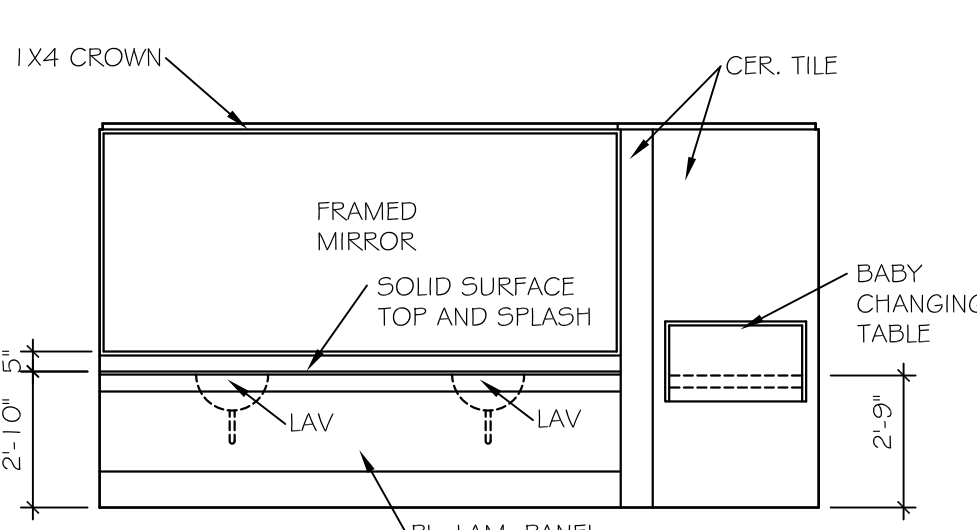
3 EAST ELEVATION MEN
1/4"=1'-0"



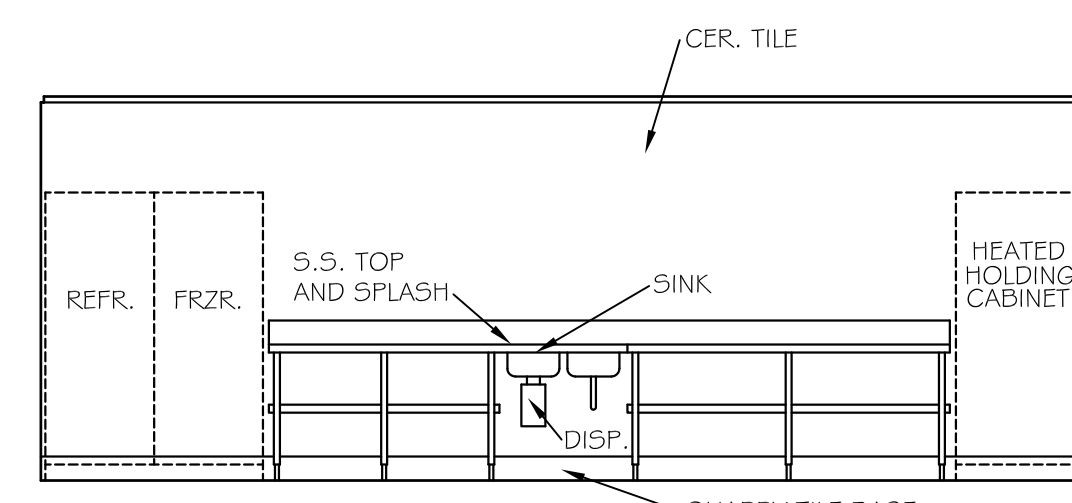
4 WEST ELEVATION MEN
1/4"=1'-0"



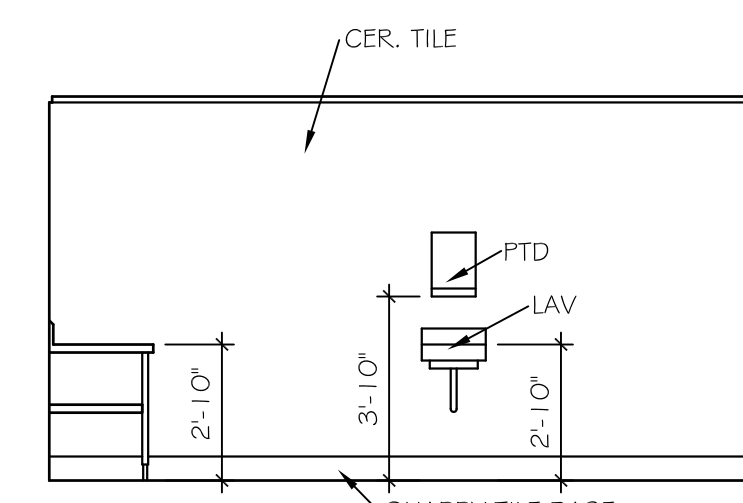
5 EAST ELEVATION WOMEN
1/4"=1'-0"



6 WEST ELEVATION WOMEN
1/4"=1'-0"



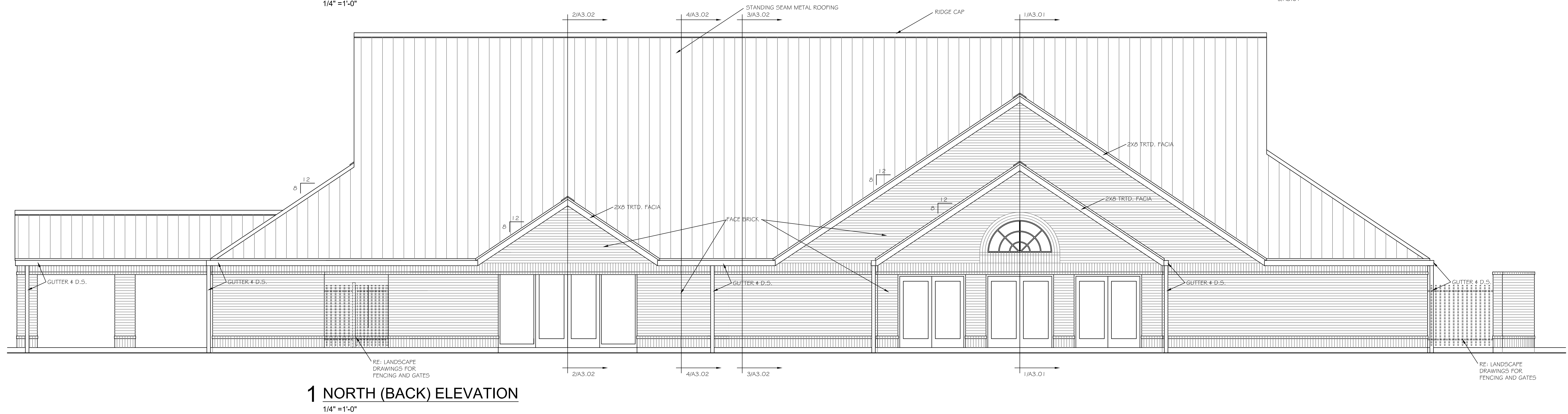
7 WEST ELEVATION KITCHEN
1/4"=1'-0"



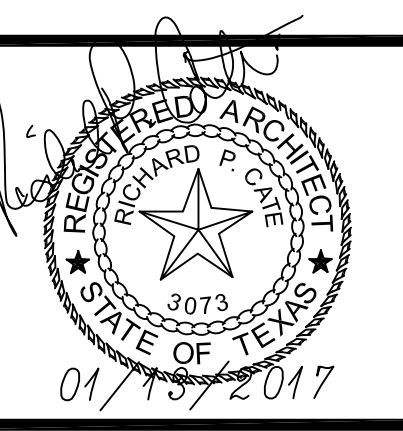
8 NORTH ELEVATION KITCHEN
1/4"=1'-0"



2 SOUTH (FRONT) ELEVATION
1/4"=1'-0"



1 NORTH (BACK) ELEVATION
1/4"=1'-0"



ISSUE	DATE
FOR BID	01/13/17

Community Building
Greatwood Recreation Center No. 1
Fort Bend County, Texas

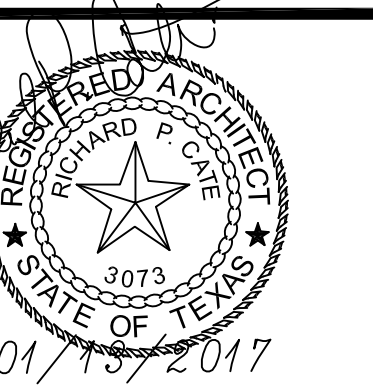
MCCM PROJECT NO: 15-024

DRAWING NAME:
Elevations
Int. Elevations

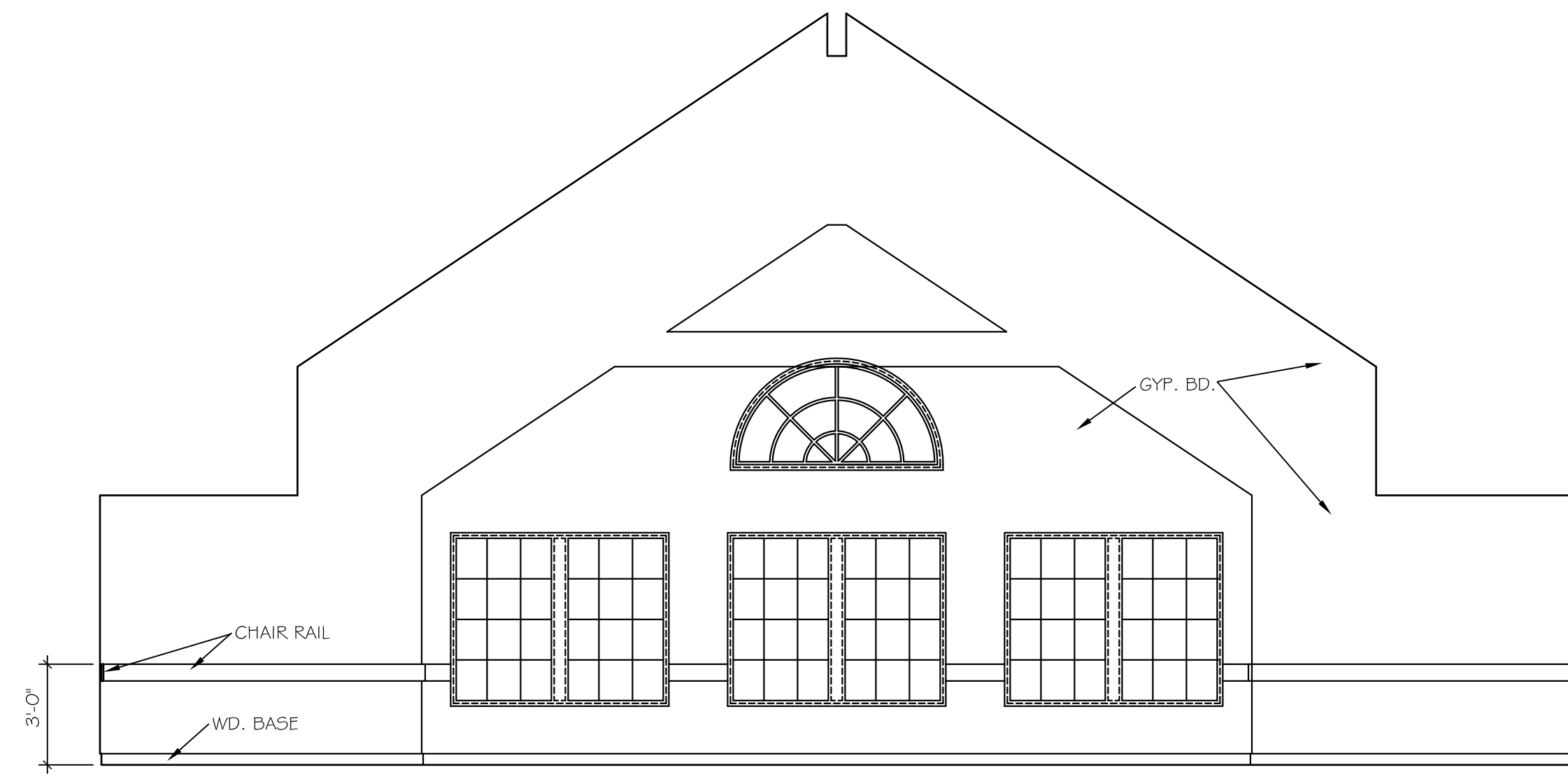
THESE DOCUMENTS ARE THE PROPERTY OF MCCM ARCHITECTS, INC. 2015 TANGLEY RD., HOUSTON, TEXAS AND ARE TO BE USED FOR THE PROJECT ONLY. ANY REUSE WITHOUT WRITTEN APPROVAL OF MCCM ARCHITECTS, INC. IS PROHIBITED.

SHEET:

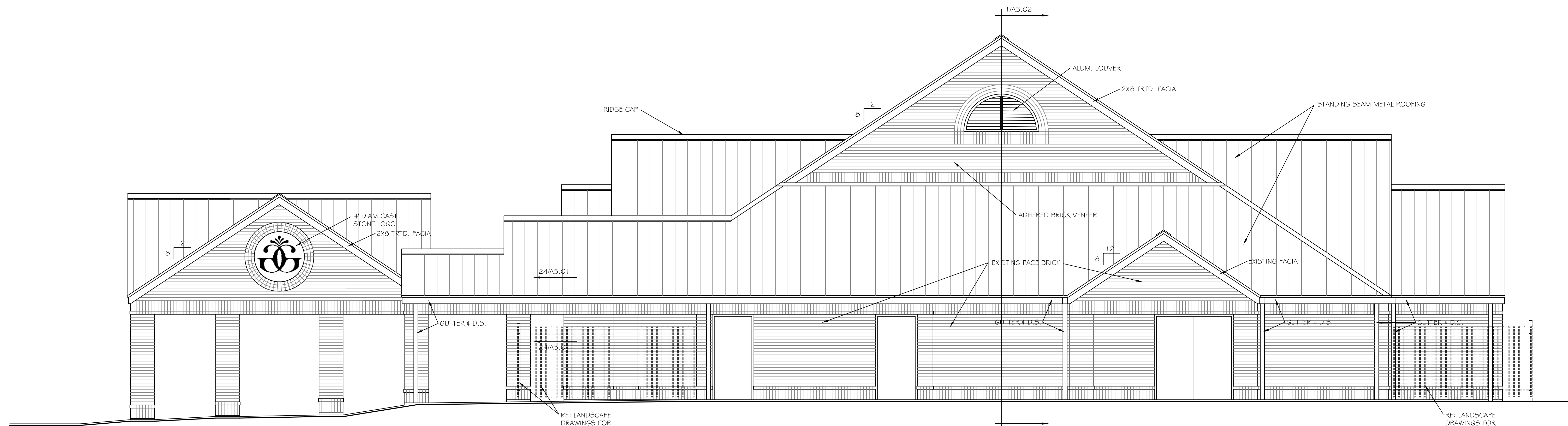
A2.01



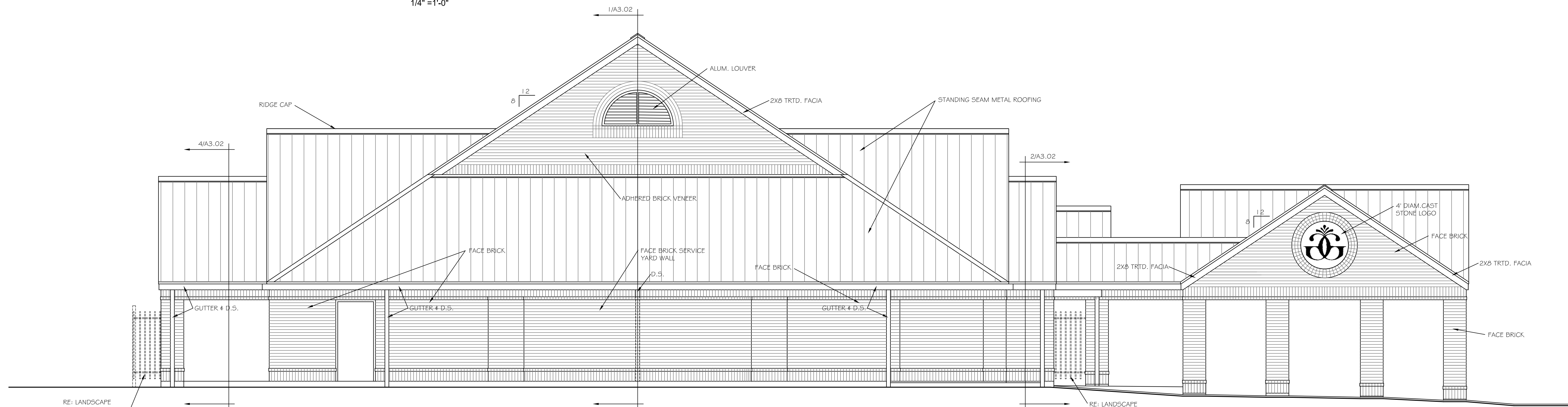
ISSUE	DATE
FOR BID	01/13/17



3 SOUTH ELEVATION MULTIPURPOSE
1/4" = 1'-0"



2 EAST (RIGHT) ELEVATION
1/4" = 1'-0"



1 WEST (LEFT) ELEVATION
1/4" = 1'-0"

Community Building
Greatwood Recreation Center No. 1
Fort Bend County, Texas

MCCM PROJECT NO: 15-024

DRAWING NAME:
**Elevations
Int. Elevations**

THESE DOCUMENTS ARE THE PROPERTY OF MCCM ARCHITECTS, INC. 2015 TANGLEY RD., HOUSTON, TEXAS AND ARE TO BE USED FOR THE PROJECT ONLY, AND BECOME VOID WITHOUT WRITTEN APPROVAL OF MCCM ARCHITECTS, INC. IS PROHIBITED.

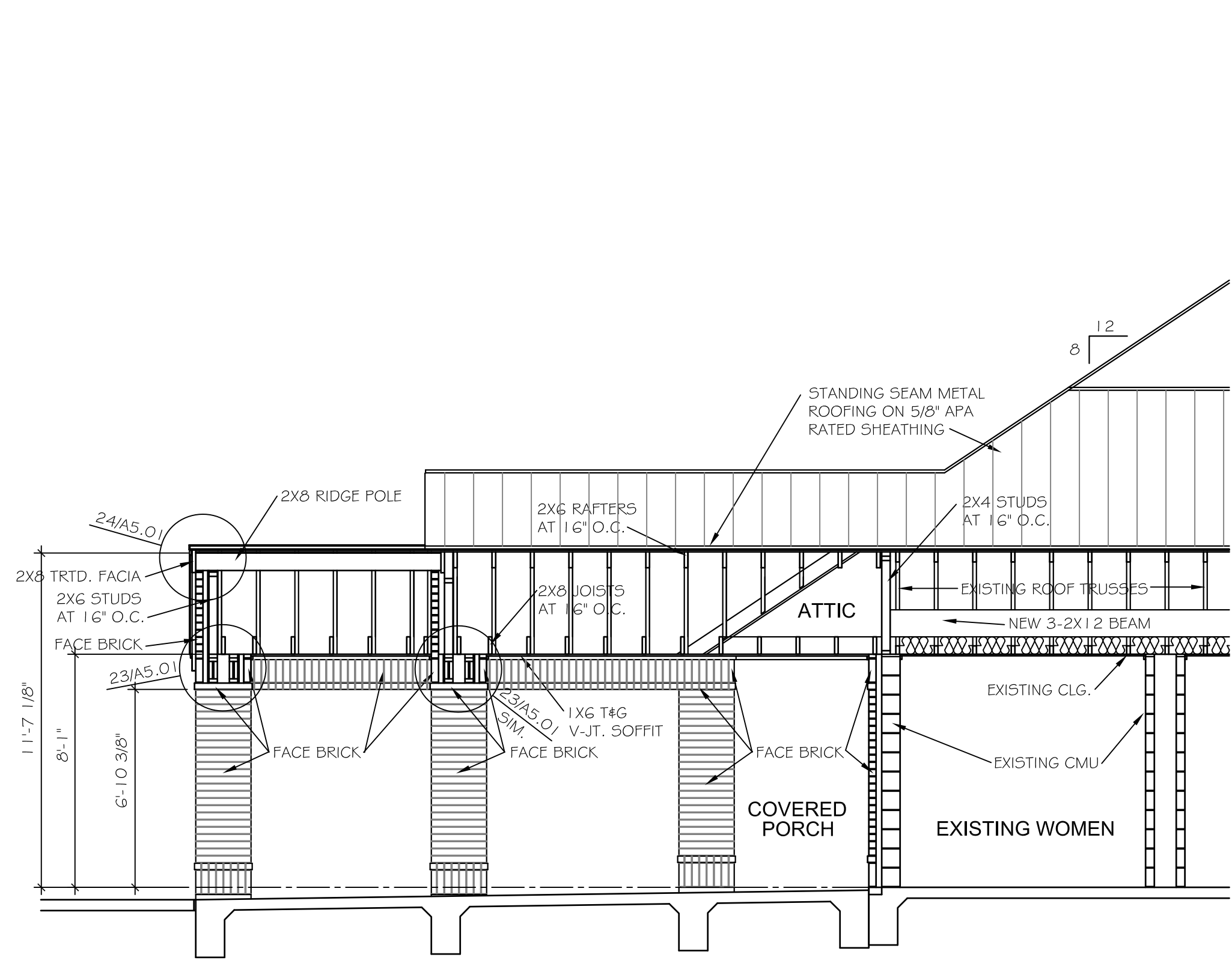
SHEET:

A2.02

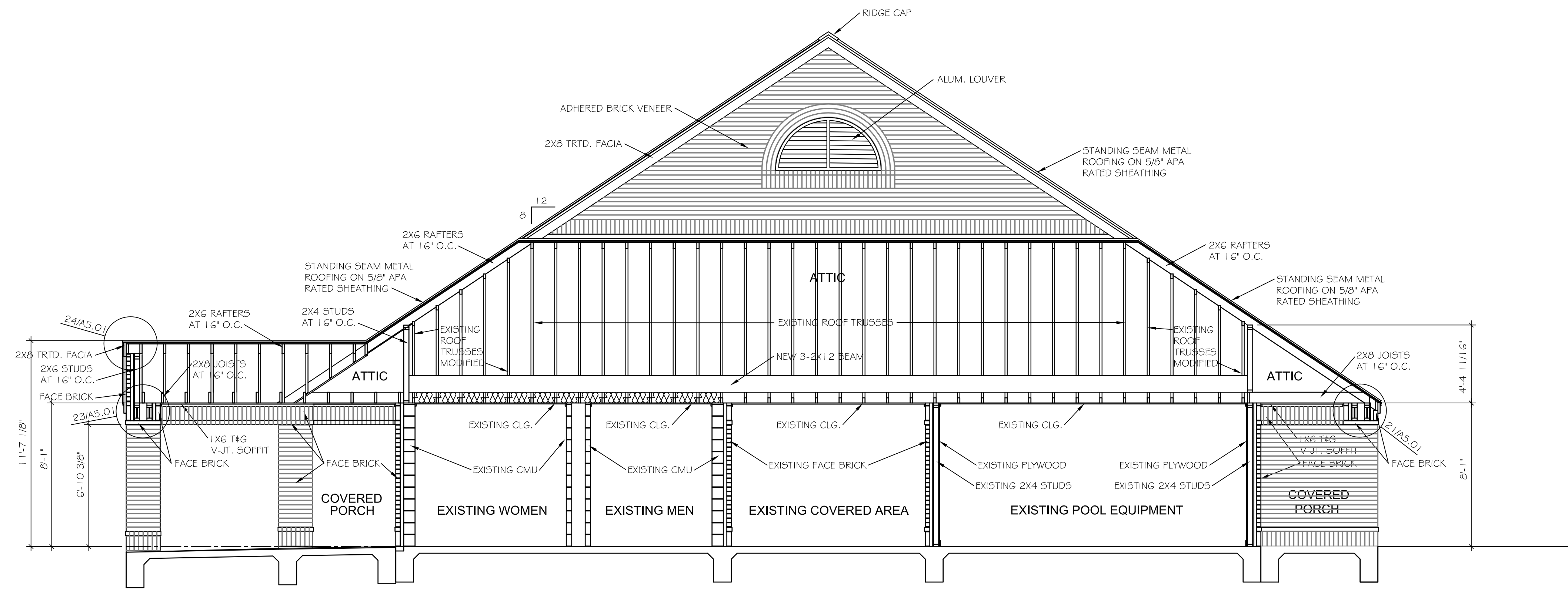


ISSUE DATE

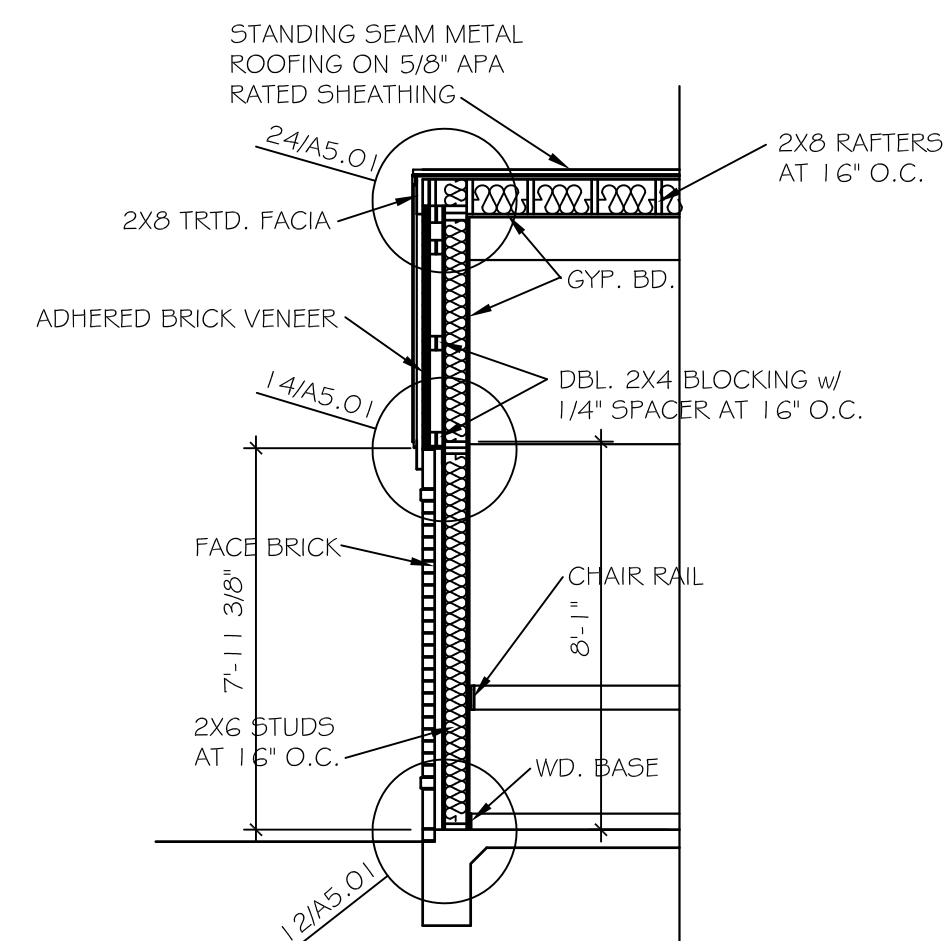
FOR BID 01/13/17



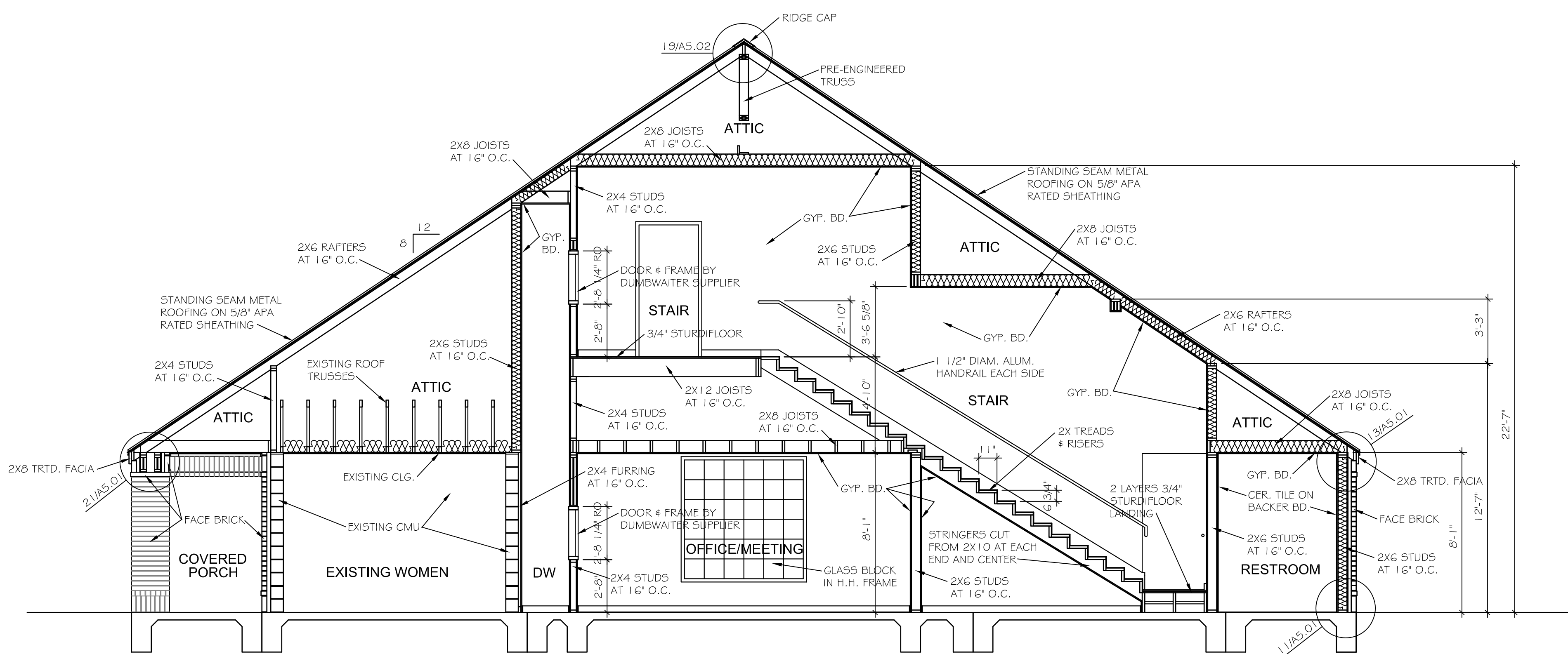
5 BUILDING SECTION



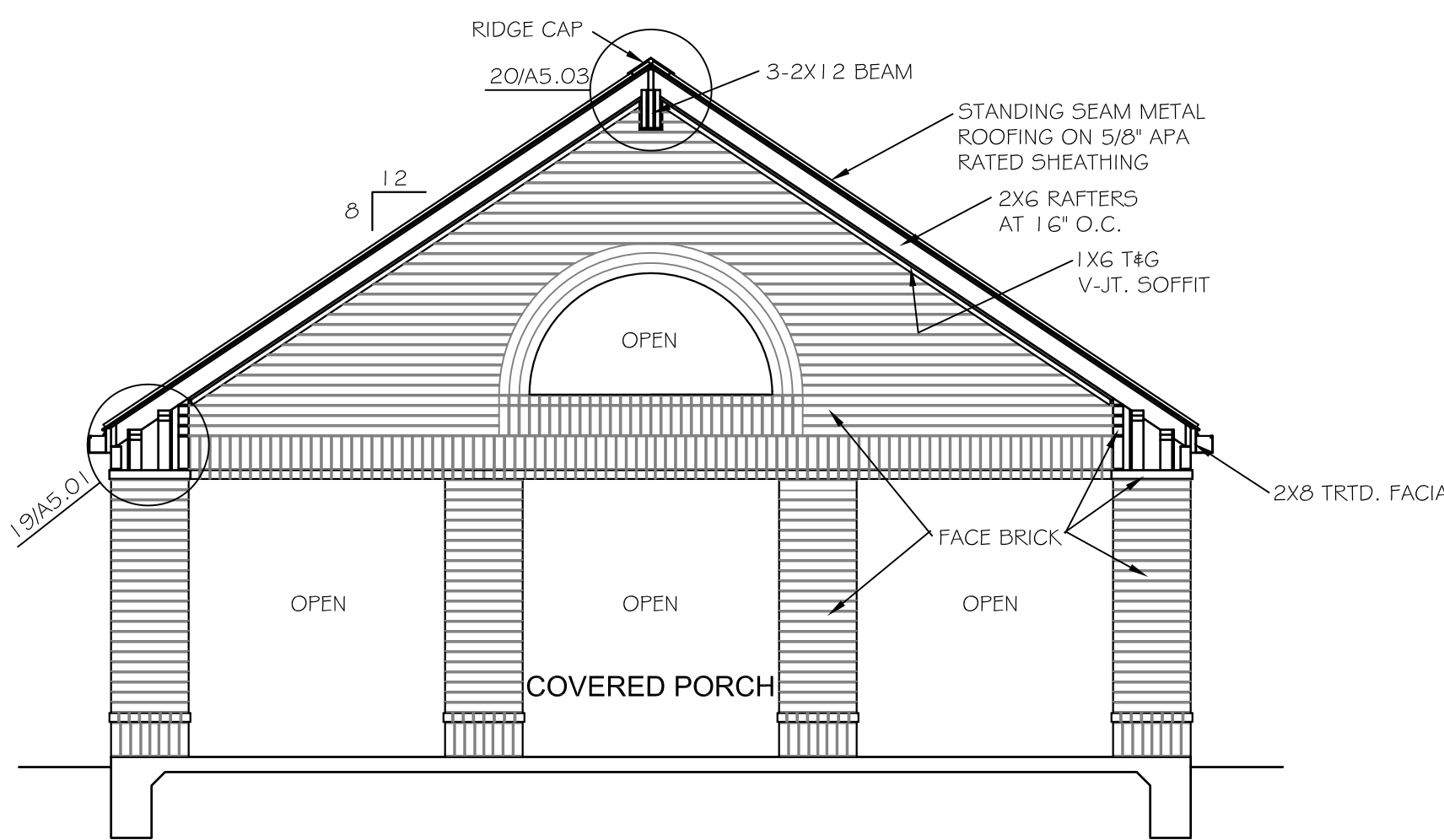
6 BUILDING SECTION



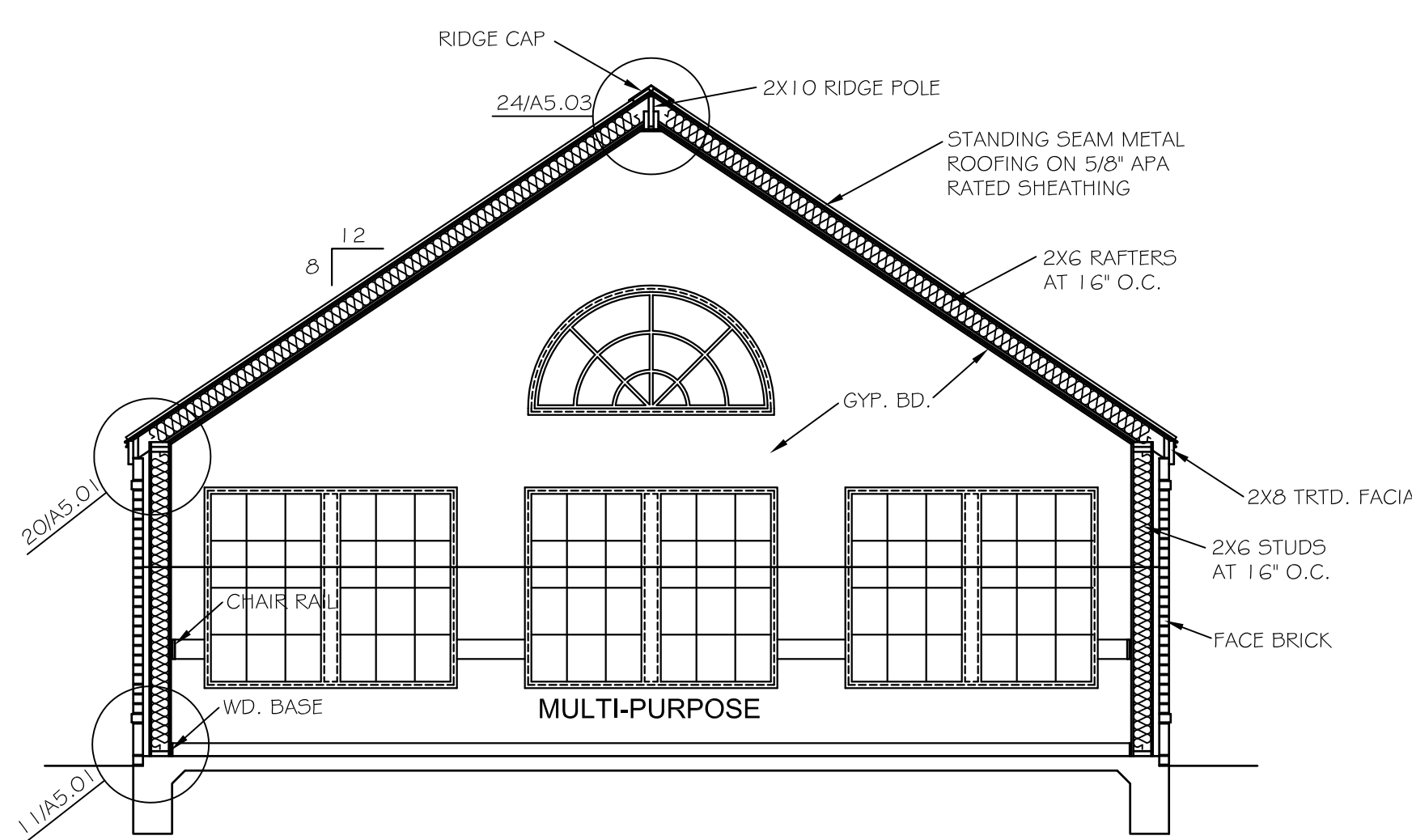
7 WALL SECTION
1/4" = 1'-0"



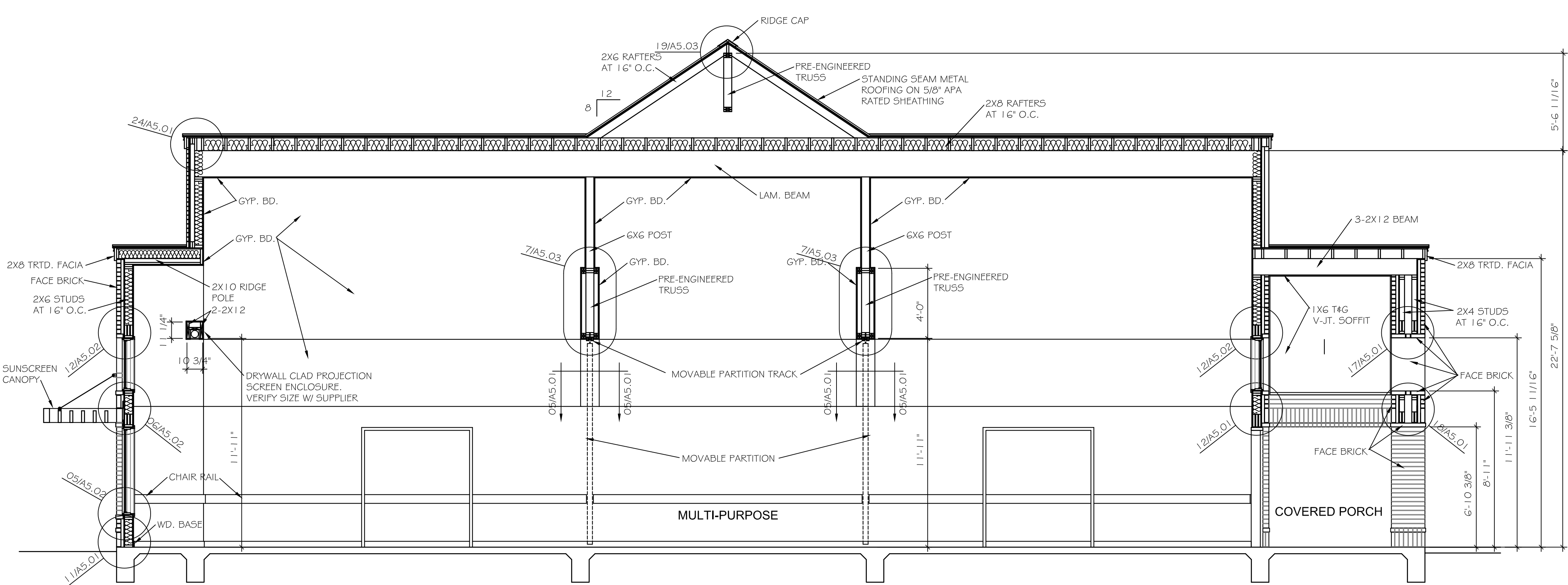
2 BUILDING SECTION
1/4" = 1'-0"



4 BUILDING SECTION
1/4" = 1'-0"



3 BUILDING SECTION
1/4" = 1'-0"



1 BUILDING SECTION
1/4" = 1'-0"

MCCM PROJECT NO: 15-024

DRAWING NAME:
Sections

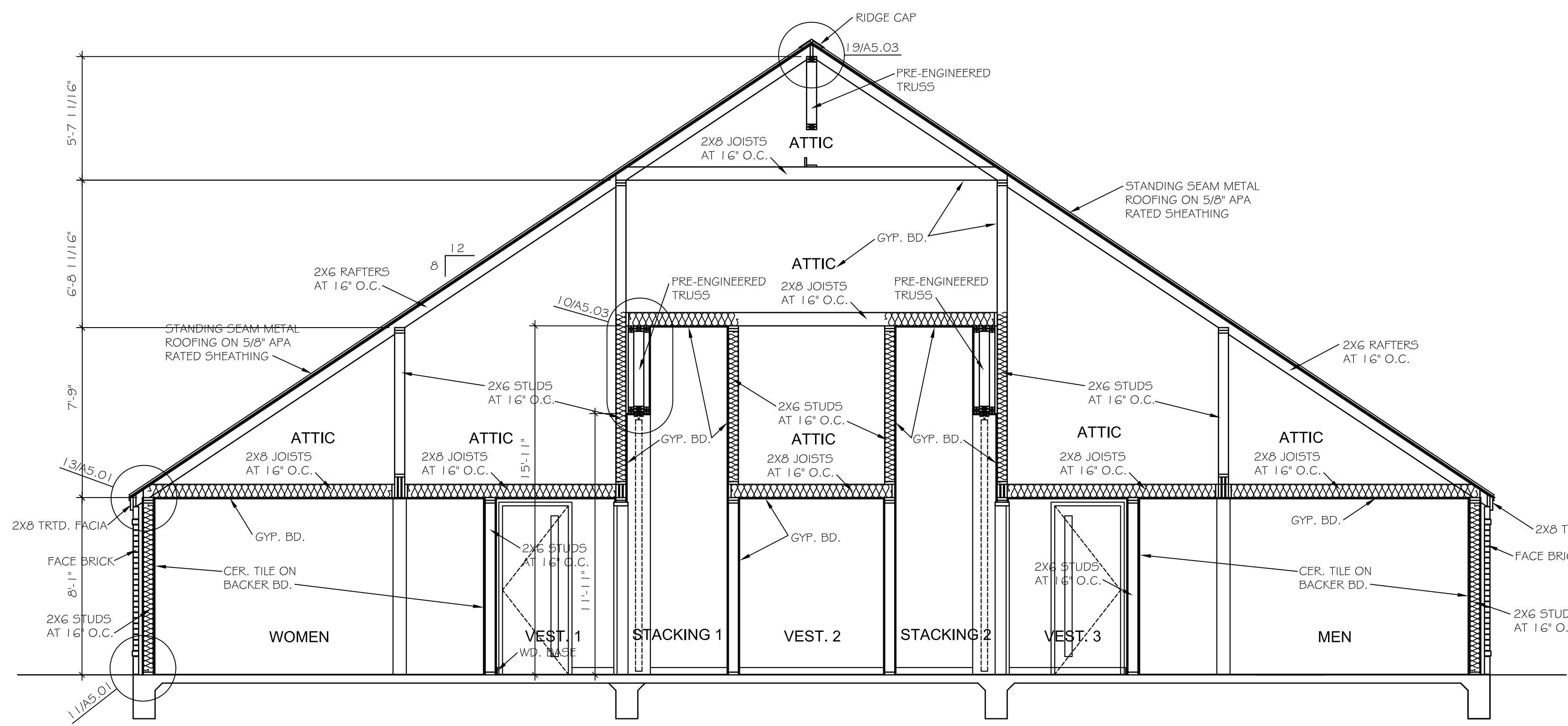
THESE DOCUMENTS ARE THE PROPERTY OF MCCM ARCHITECTS, INC. 2015
TANGLEY RD., HOUSTON, TEXAS AND ARE TO BE USED ONLY FOR THE PROJECT
DENO., AND BEING HEREBY LIMITED APPROVAL OF MCCM ARCHITECTS,
INC. IS PROVIDED.

SHEET:

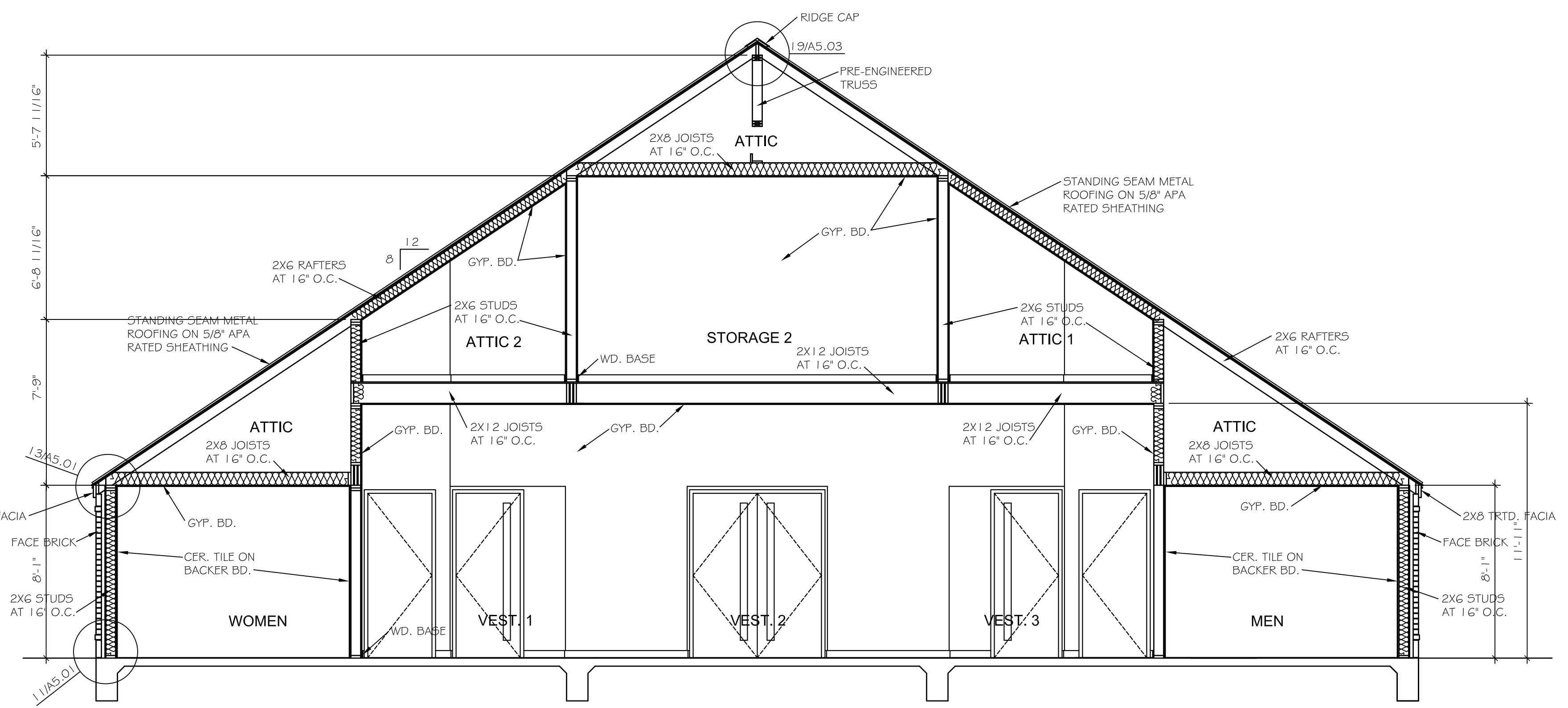
A3.01



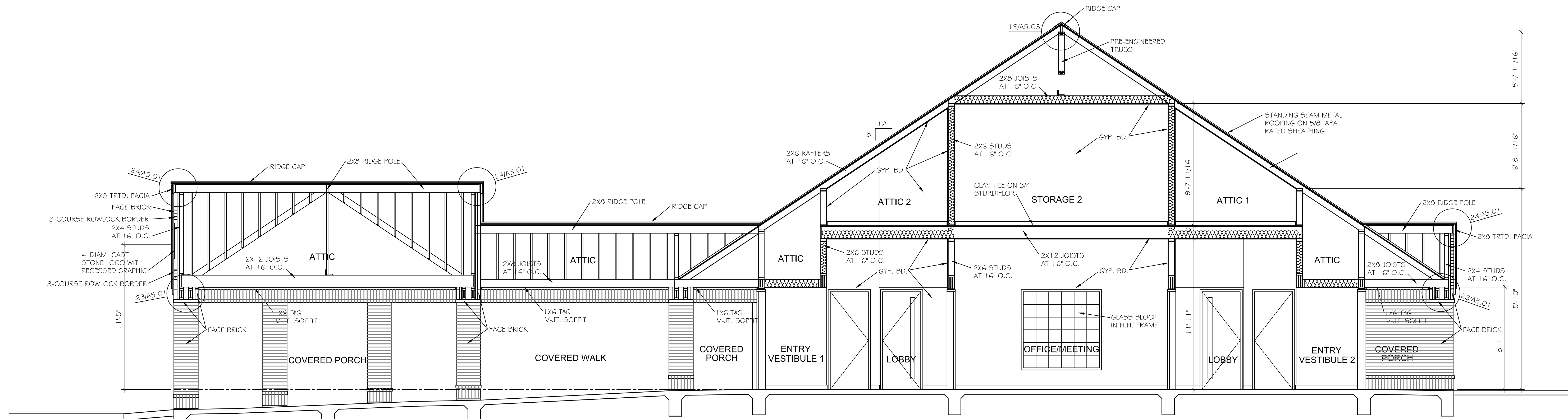
ISSUE	DATE
FOR BID	01/13/17



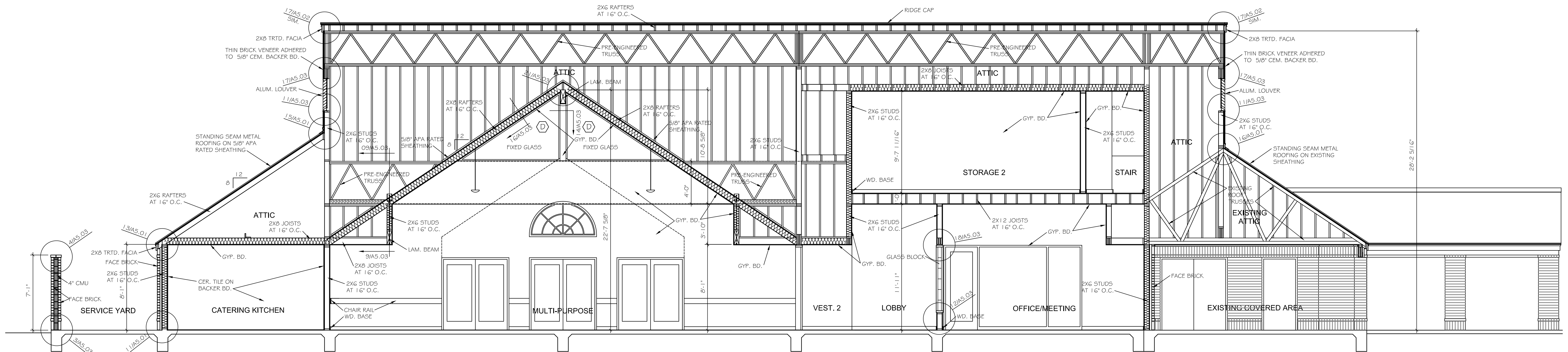
3 BUILDING SECTION
1/4" = 1'-0"



4 BUILDING SECTION
1/4" = 1'-0"



2 BUILDING SECTION
1/4" = 1'-0"



1 BUILDING SECTION
1/4" = 1'-0"

MCCM PROJECT NO: 15-024

DRAWING NAME:
Sections

THESE DOCUMENTS ARE THE PROPERTY OF MCM ARCHITECTS, INC. 2015
TANGLEY RD., HOUSTON, TEXAS AND ARE TO BE USED ONLY FOR THE PROJECT
INDICATED. ANY REUSE WITHOUT WRITTEN APPROVAL OF MCM ARCHITECTS,
INC. IS PROHIBITED.

SHEET:

A3.02